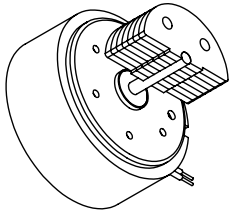


NFP-324-102



Features:

- Galvanized Disk Eccentric Wheel
- Precious Metal Brush
- Pancake Shape
- Oil-impregnated Bearing

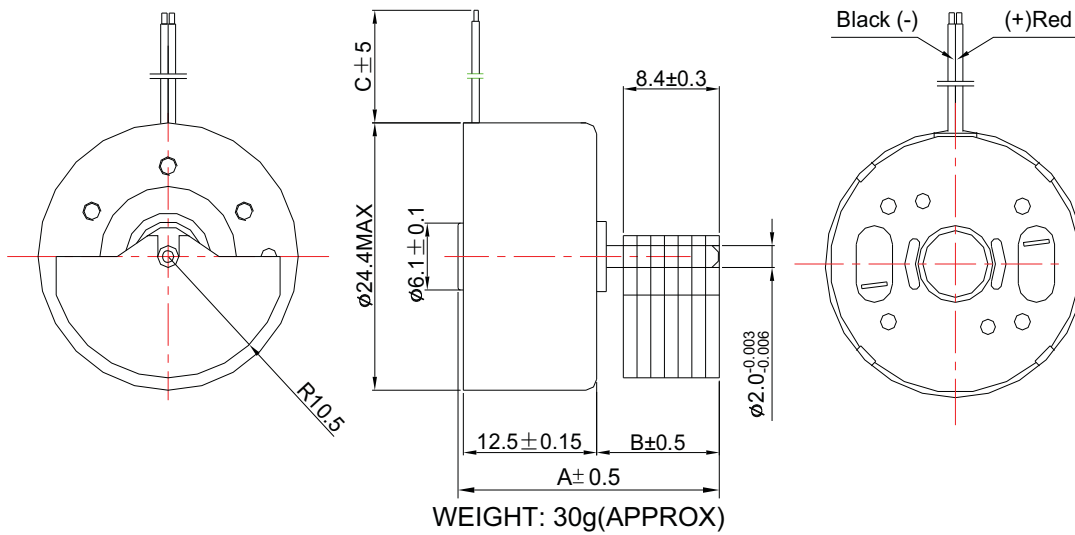
Applications:

- Massager
- Game Controller
- Beauty Apparatus

Customization:

- Length A,B
- Technical Data
- Eccentric Wheel
- Cable

DIRECTION OF ROTATION
CW/CCW



Technical Data:

MODEL	VOLTAGE		Start Voltage	RATED			STALL CURRENT
	OPERATING RANGE	NOMINAL V		SPEED r/min	CURRENT A	LOAD (Unit:mm)	
	NFP-324-102	1.0-3.0	2	0.8	1750	0.14	R10.5*8.4

Unit Conversion: 1g.cm \approx 0.098mN.m \approx 0.014oz.in 1mm=0.039in 1g=0.035oz