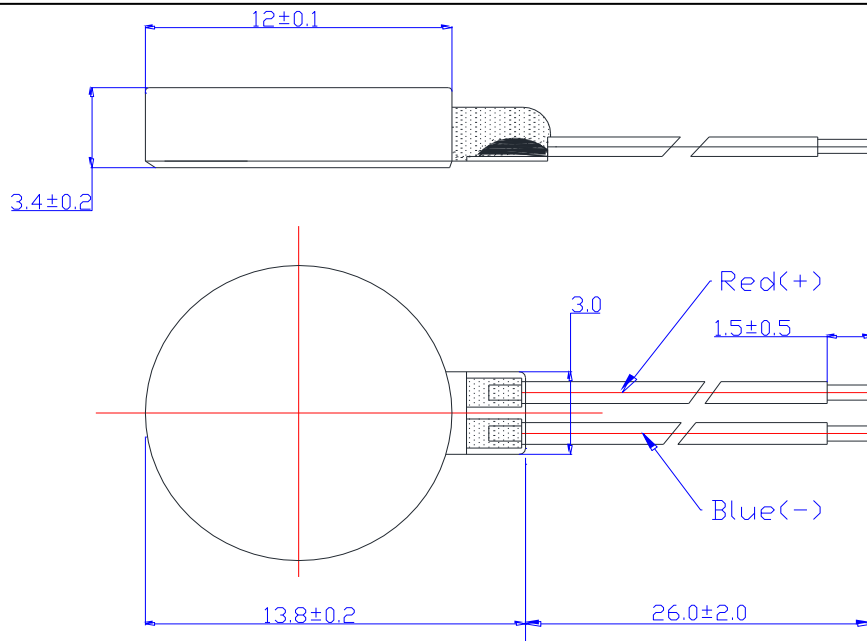


Need-For-Power Motor Co., Ltd

Specifications of the motor

One、 Outline

No. SPEC1526



Two、 Electrical Characteristic

No	Item	Specifications	Remark
1	Model Number	NFP-C1234	
2	Rated Voltage	3.0V DC	
3	The use of Voltage range	2.8~3.2V DC	
4	Rotation Direction	CW or CCW	
5	The use of temperature range	-10℃ ~ 60℃ ≤60%RH	
6	Rated Current	80mA Max	
7	Rated speed	12000 ± 2500 rpm	Under the rated voltage motor operates on load
8	Stall Current	100mA Max	Rated Voltage
9	Starting Voltage	2.0V DC	In any one position, voltage slowly rises
10	Terminal Resistance	1.2 ± 5%Ω	Measure between two terminals
11	Insulation Resistance	10MΩ	Ohmmeter, measure between the wires and the shell
12	Appearance	The machine no damage and rusting	
13	Weight	About 1.2g	

Approver	Auditor	Organizer	Date
			August,14th,2015

Address: Penghua Industrial Park Heping Rd, Bao'an Shenzhen, Guangdong, China.

Tel: (+86)186 6003 7716

E-Mail: info@nfpmotor.com