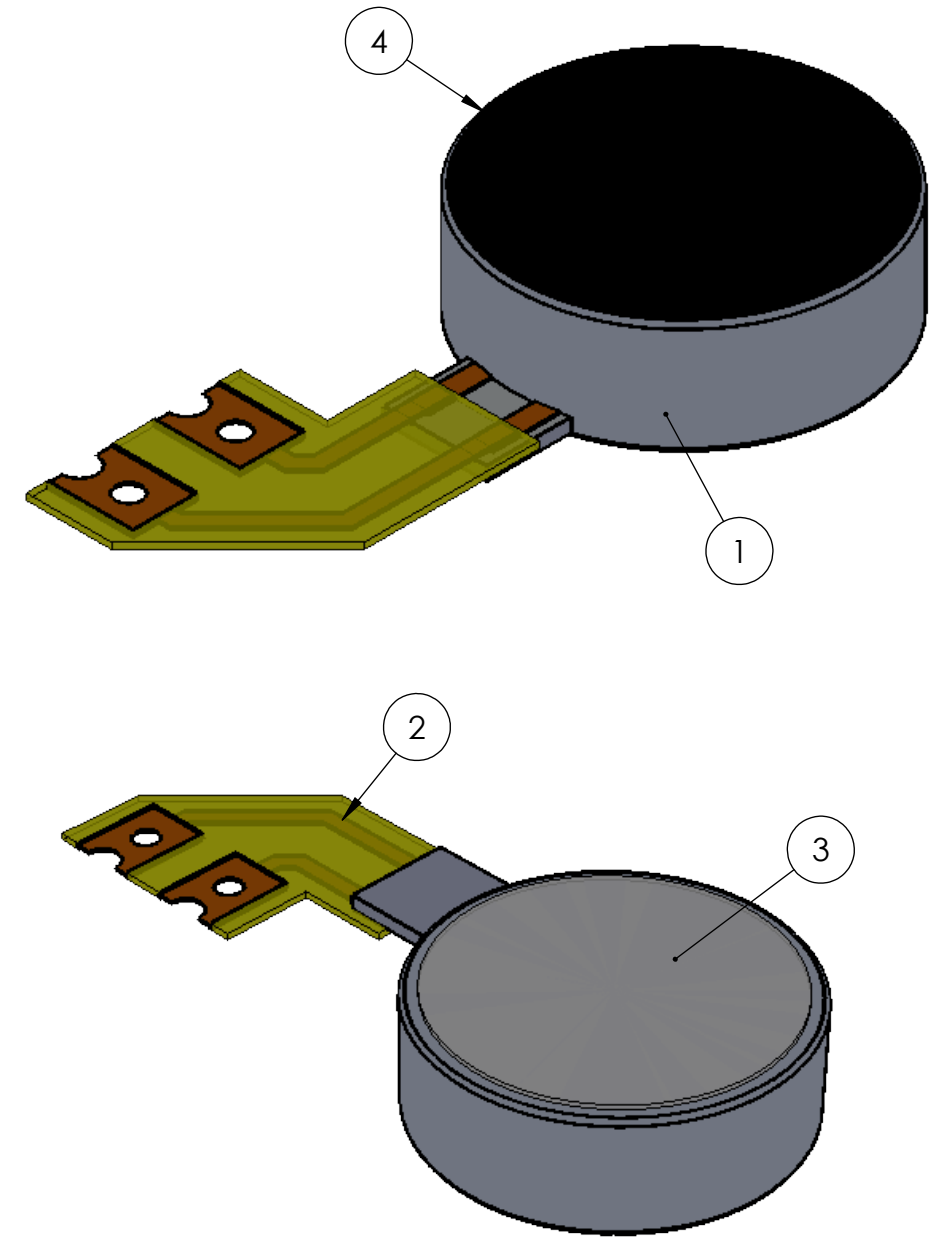
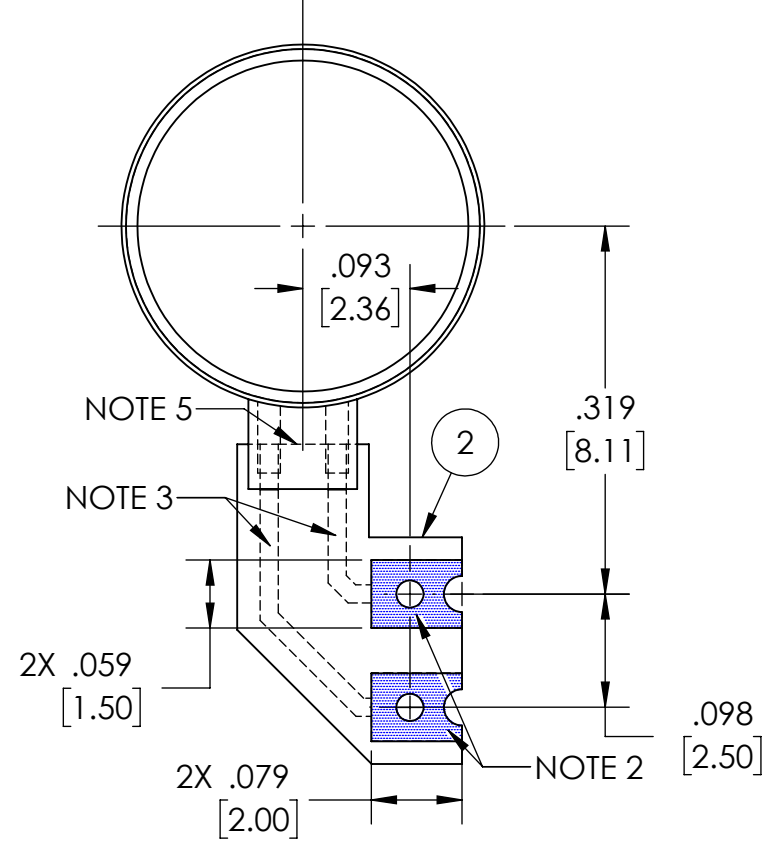
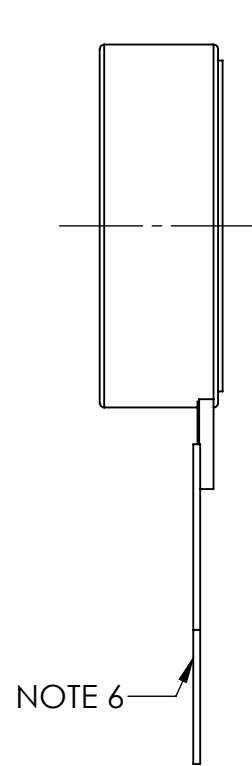
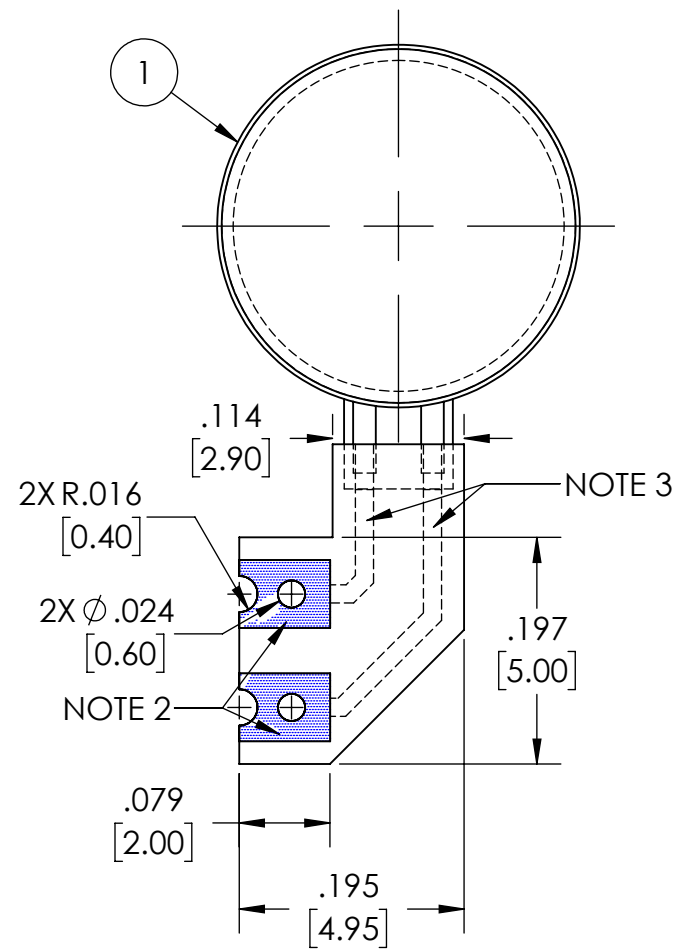


DESCRIPTION	PART NUMBER	BOM ID	QUANTITY
COIN VIBRATION MOTOR	C0820	1	1
VIBRATION MOTOR FLEX	10-0022-01	2	1
DOUBLE STICK TAPE	3M 9448A	3	1
BLACK FOAM TAPE		4	1



- NOTES:
1. APPLICABLE STANDARDS/SPECIFICATIONS
 - ASME Y14.100-2004
 - ASME Y14.5M-1994
 2. EXPOSED COPPER PADS WITH ENIG FINISH. HEIGHT OF PLATED PADS MUST BE AT OR GREATER THAN POLYIMIDE HEIGHT.
 3. POLYIMIDE COVERED COPPER. TRACE WIDTH MAY NOT EXCEED 0.025 INCH [.64mm].
 4. CLEARANCE FROM BOARD EDGE MAY BE CHANGED DEPENDING UPON FABRICATION CAPABILITIES. MAX ALLOWED VALUE 0.050 INCH[1.28mm] ALL AROUND TRACES.
 5. ATTACHMENT FLEX AREA MAY BE DEFINED BY SUPPLIER. THE POLYIMIDE FLEX MUST REMAIN PARALLEL TO THE MOTOR DURING ASSEMBLY.
 6. THICKNESS OF FLEX MAY BE DEFINED BY SUPPLIER.