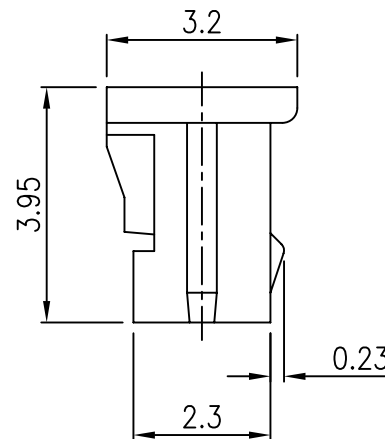
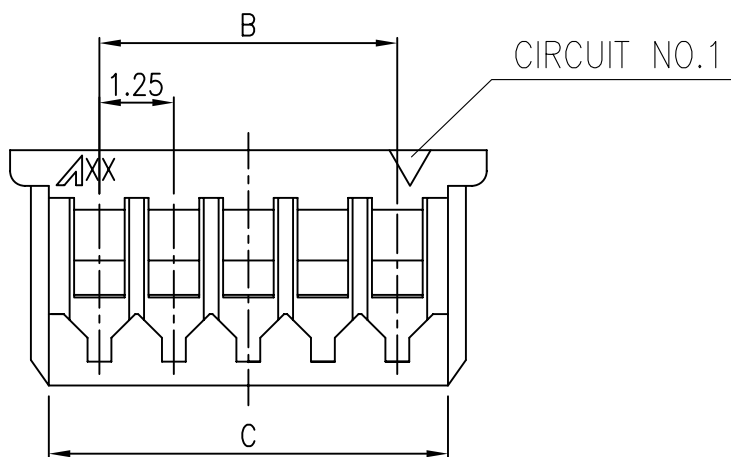
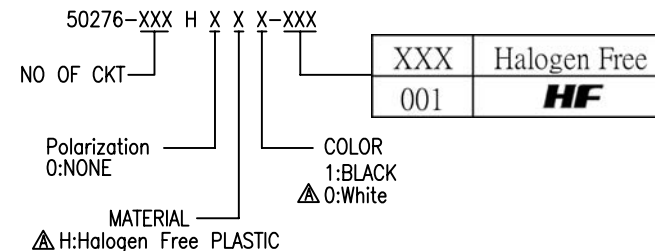
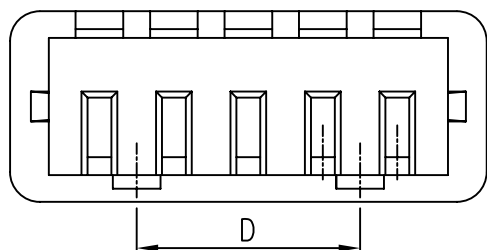


NOTES:

1. MATERIAL: Halogen Free PLASTIC, HIGH TEMP
UL 94 V-0, COLOR: SEE P/N. Δ
2. MATE WITH 50271 & 50273 SERIES
3. SPEC PLS. REFER TO PS-50276-XXXXX-XXX
4. PART NUMBER



CKT	Dim A	Dim B	Dim C	Dim D
2	4.25	1.25	2.95	0.00
3	5.50	2.50	4.20	0.00
4	6.75	3.75	5.45	2.50
5	8.00	5.00	6.70	3.75
6	9.25	6.25	7.95	5.00
7	10.50	7.50	9.20	6.25
8	11.75	8.75	10.45	7.50
9	13.00	10.00	11.70	8.75
10	14.25	11.25	12.95	10.00
11	15.50	12.50	14.20	11.25
12	16.75	13.75	15.45	12.50
13	18.00	15.00	16.70	13.75
14	19.25	16.25	17.95	15.00
15	20.50	17.50	19.20	16.25
16	21.75	18.75	20.45	17.50
17	23.00	20.00	21.70	18.75
18	24.25	21.25	22.95	20.00
19	25.50	22.50	24.20	21.25
20	26.75	23.75	25.45	22.50



REV	REV	REVISION DESCRIPTION	DATE	SIGNATURE
B		ECN-0906061(UPDATE COLOR TO CONSISTENT)	'09/06/08	Violet
A		ECN-0812249新增加(APP970218)	'08/12/15	liuwei
O		NEW DRAWING(APP970142)	'08/10/15	Stone

一般公差 TOLERANCES X ±0.50 XX ±0.15 X ±0.25 XXX ±0.10 ANGLES ±1°		宏致電子股份有限公司 Aces Electronic Co.,Ltd.	
檢驗尺寸標示 SYMBOLS \oplus \ominus INDICATE CLASSIFICATION DIMENSION		品名 (TITLE) 1.25mm WTB Housing	
MARK IS CRITICAL DIM. MARK IS MAJOR DIM.		圖號 (DWG.NO) 50276-XXXHXXX-XXX	
表面處理 (FINISH)		比例 (SCALE) 單位 (UNITS) \oplus \ominus 5:1 mm	
		製圖 (DR) Stone '08/10/15 審核 (CHKD) Sam 核准 (APPD) Jason	
		張數 (SHEET) 1 OF 1 尺寸 (SIZE) A4 頁碼 (REV) B	